


Coarse Wavelength Division Multiplexer (CWDM)

| | |
|-----------------------------------|--|
| Features |  |
| *Ultra-Low Insertion Loss | |
| *Epoxy free Optical Path | |
| *Highly Reliability and Stability | |
| Applications | |
| *Both Add/Drop | |
| *Telecom networks | |
| *Metro networks | |

1. Specifications:

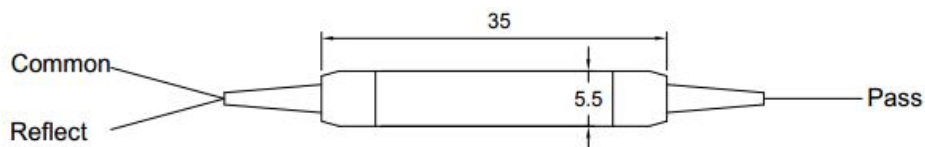
| Parameter | Unit | Min | Typical | Max |
|-----------------------------------|-----------------|---------------------------------|---------|------|
| Operating Wavelength Range | nm | 1260~1460, 1460~1620, 1260~1620 | | |
| Center Wavelength λ_c | nm | ITU Grid | | |
| Channel Spacing | nm | 20 | | |
| Passband Bandwidth @ 0.5dB | nm | $\lambda_c \pm 6.5$ | | |
| Insertion Loss | Pass Channel | | 0.35 | 0.50 |
| | Reflect Channel | | 0.25 | 0.35 |
| Polarization Dependent Loss (PDL) | dB | | 0.02 | 0.10 |
| Passband Ripple | dB | | | 0.30 |
| Pass Channel Isolation | dB | 30 | 35 | |
| Reflection Channel Isolation | dB | 40 | 45 | |
| Return Loss | dB | 50 | | |
| Directivity | dB | 50 | | |
| Power Handling | mW | | | 300 |
| Operating temperature | °C | -10 ~+70 | | |
| Storage temperature | °C | -40 ~+85 | | |
| Fiber Type | - | Corning SMF-28e or equivalent | | |
| Package Dimensions | mm | $\Phi 5.5 \times L35$ (P1) | | |

* Above specifications are for devices without connectors.

*For device with connector, IL is 0.3dB higher, RL is 5dB lower.

*The tolerance of fiber length is +/-0.1m.

2. Package Dimensions



3. Testing Report

Testing report will be with shipment including below issues

-Insertion Loss

4. Package

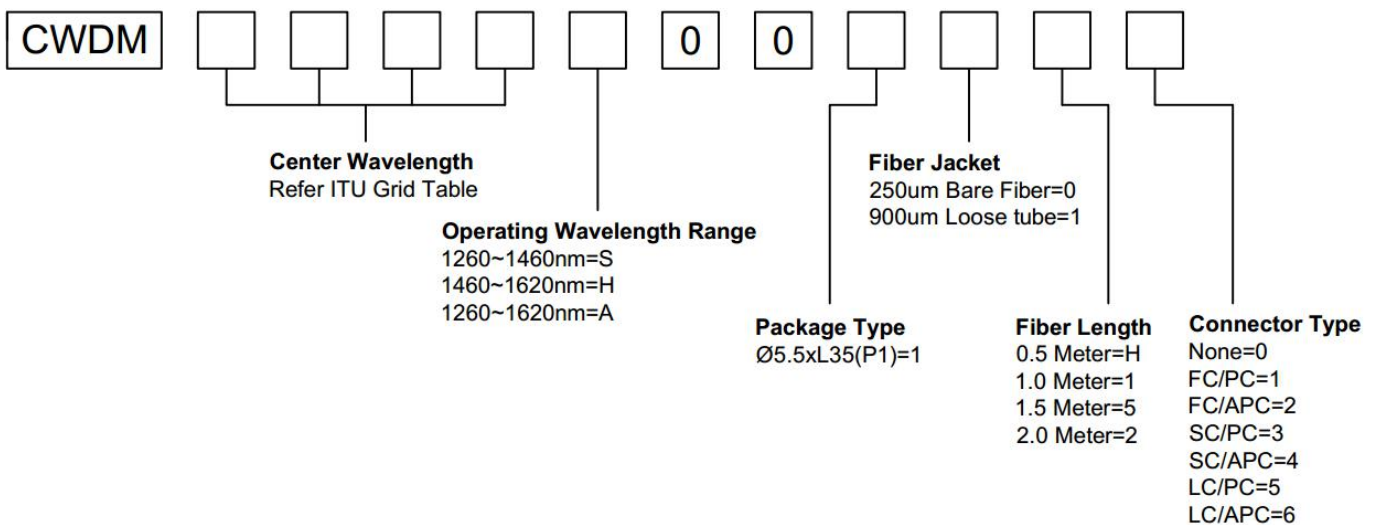
Label should show below items when using paper box packaging

-Product name

-PN

-QTY

5. Ordering Information



6. History Reversion

| Reversion | Date | Originator | Approval | Change Description |
|-----------|------------|------------|----------|--------------------|
| 01 | 2017/12/29 | HQ | Tony | Initial Release |

| | | | |
|------|------|------|------|
| 1271 | 1451 | 1270 | 1450 |
| 1291 | 1471 | 1290 | 1470 |
| 1311 | 1491 | 1310 | 1490 |
| 1331 | 1511 | 1330 | 1510 |
| 1351 | 1531 | 1350 | 1530 |
| 1371 | 1551 | 1370 | 1550 |
| 1391 | 1571 | 1390 | 1570 |
| 1411 | 1591 | 1410 | 1590 |
| 1431 | 1611 | 1430 | 1610 |